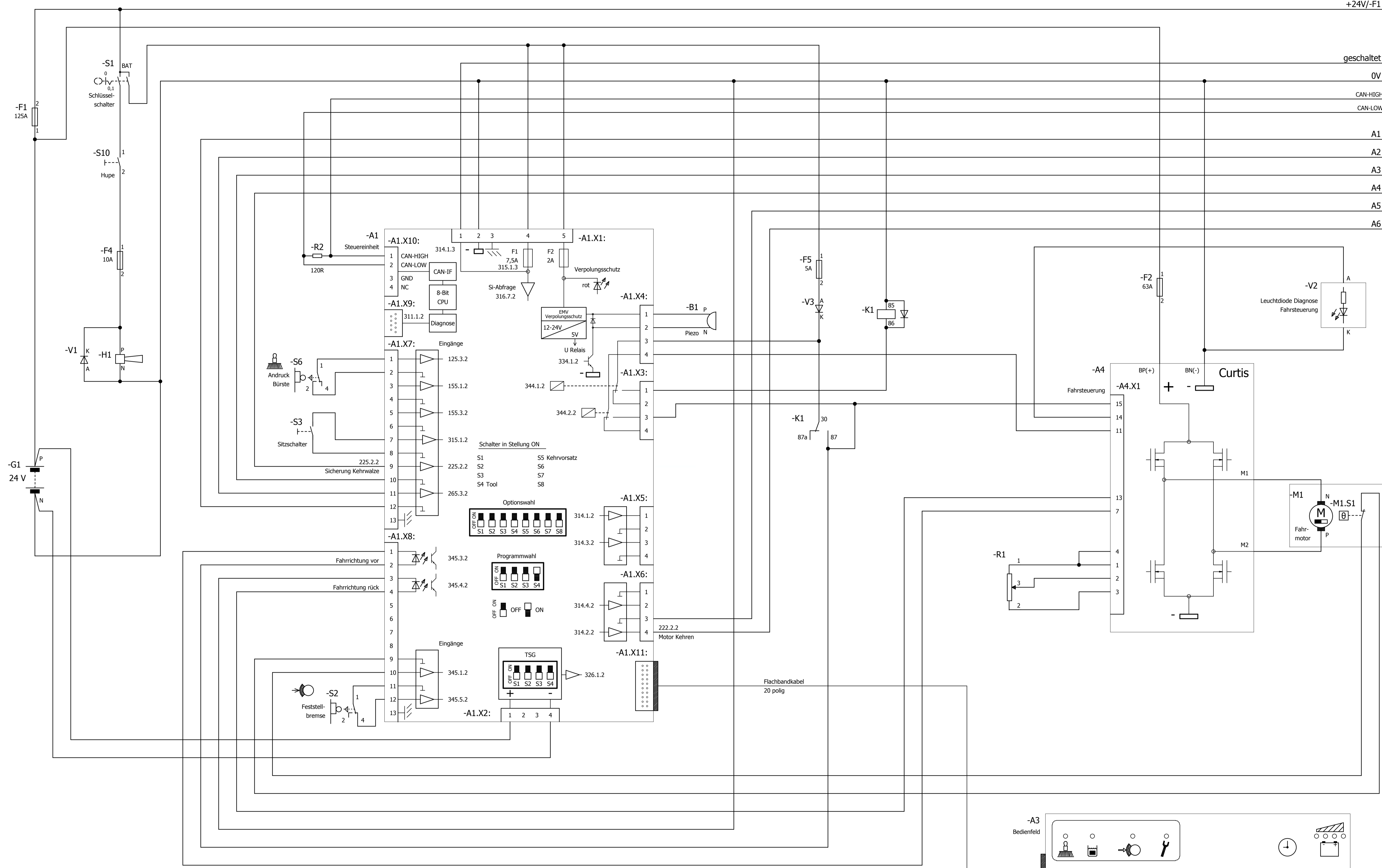


Connection Scheme
Admiral 35
Model: ADM35D



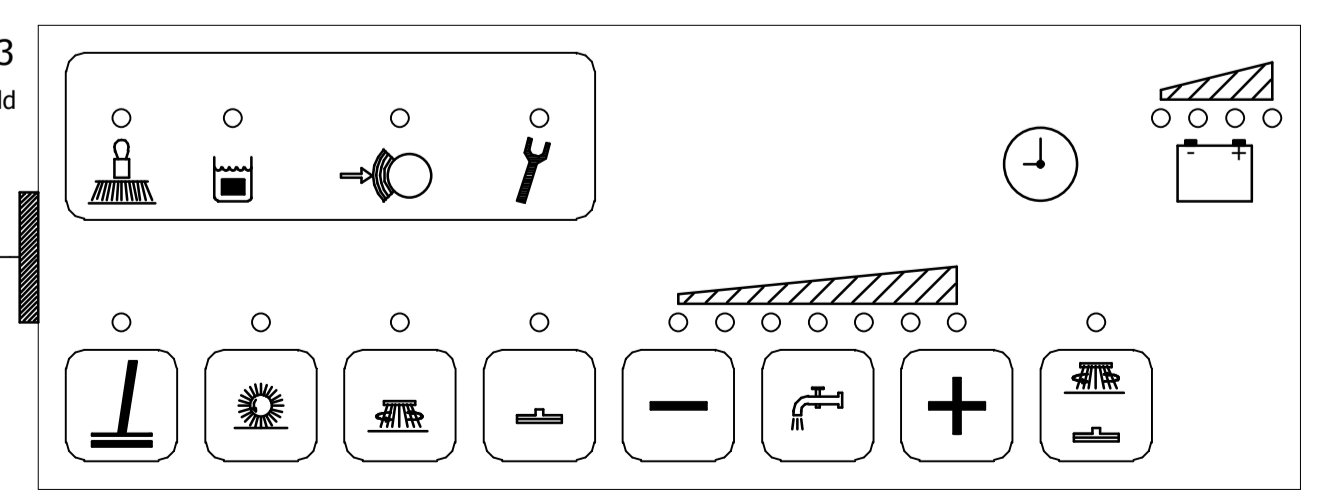
Valid from: August 05, 2007
 Updated: September 21, 2010

Ref.	Description	Part Number	Path
A1	Control unit (electronic module only), function control	01175790	1.14
A2	Module 1, power motors	00752920	2.9
A3	Standard control panel (electronic module only)	00712220	1.29
A4	Drive controller	01055000	1.33
A5	Module 2, sweeping (pre-sweep OPTION-7604)	00712200	2.31
B1	Alarm (Piezo buzzer) (signal transmitter)	00745850	1.20
F1	Fuse, 125A- Main	00059580	1.3
F2	Fuse, 63A- Drive control	01056100	1.33
F3	Circuit Breaker, 10A- Broom motor (Pre-sweep OPTION-7604)	00041140	2.37
F4	Fuse, 10A- Horn	00733630	1.5
F5	Fuse, 5A- Control input – key on	00906120	1.23
G1	Battery 24V (standard), Wet 6V 275Ah (4 required)	956747	1.3
G1	Battery 24V (optional), Wet 6V 325Ah (4 required)	956744	1.3
H1	Horn	00852420	1.5
K1	Relay, Main	00965030	1.25
M1	Drive motor	00671800	1.37
M1.S1	Thermal switch, drive motor	part of M1	1.38
M2	Water pump	90329095	2.5
M3	Vacuum motor (suction turbine)	00543510	2.17
M4	Brush motor 1, left side	00671800	2.20
M4.S1	Thermal switch, brush motor 1, left side	part of M4	2.22
M5	Brush motor 2, right side	00671800	2.20
M5.S1	Thermal switch, brush motor 2, right side	Part of M5	2.22
M6	Actuator, brush deck (regulating motor)	01074350	2.17
M7	Broom motor (Pre-sweep OPTION- 7604)	00981100	2.37
M8	Actuator, squeegee (lifting element)	00712430	2.17
R1	Drive potentiometer	00712190	1.29
R2	Terminating resistor CAN bus 120Ω	90266925	1.10
R3	Terminating resistor CAN bus 120Ω	90266925	2.6
S1	Key Switch	90323437	1.5
S2	Parking brake switch (stop light switch) (micro switch)	00975510	1.11
S3	Seat switch (contact switch)	00905240	1.10
S6	Brush pressure switch (micro switch)	00975510	1.10
S9	Float switch, Recovery tank (soiled water)	00861620	2.6
S10	Horn button (push button switch)	00133770	1.5
V1	Diode, Recovery for horn	90194879	1.4
V2	LED diagnosis drive control	01075430	1.37
V3	Diode, A1 control until on circuit	90194879	1.23
Y1	Water valve	90435595	2.5
	RED= NON-Stock Item		



4 Einstellung: TSG
GIS-Batterie (Auslieferungsstand PowerBoss)

	Gel (Sonnenschein)	Gel (Delta)	PzS	PzS fremd	GIS	GIS fremd		
1	0	1	1	0	1	0	1	0
2	1	1	0	0	1	1	0	0
3	1	1	1	1	0	0	0	0
4	ON = 24V / OFF = 36V							



PLOTDATUM : 23.04.2008 B-Stand : 005 / Ri. / 23.04.08 [005 / kupe / 23.04.08]

+24V/-F1

geschaltet

0V

CAN-HIGH

CAN-LOW

A1

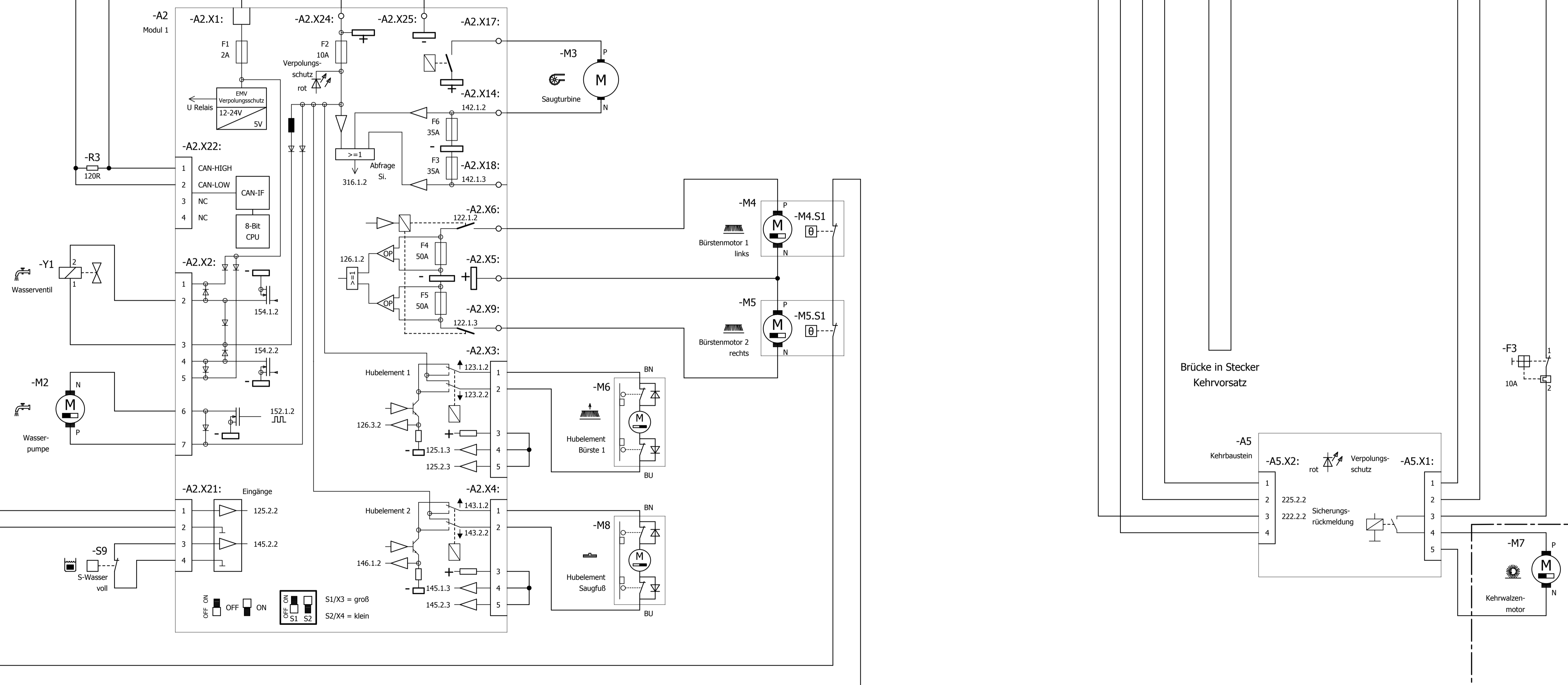
A2

A3

A4

A5

A6



99-7604-00
OPTION
Kehrvorsatz

=	4	J.	1283-00	23.04.08	Ri.	1999	Datum	Name	VES-Nr. :	Benennung		Zeichnungs-Nr. 91-01862-2
			Gezeichnet	25.06.	kupe			Ersatz für : Gl.Nr.	CONNECTION SCHEME ADMIRAL 35			
+	Nr. Zahl kommt vor		Änd.-Nr.	Datum	Name	Normgepr.			Änd. Nr. : 0735-01	Für diese Zeichnung behalten wir uns alle Rechte vor.(Gemäß DIN 34)	Typ: 7744	Blattzahl: 3 Blatt: 2